

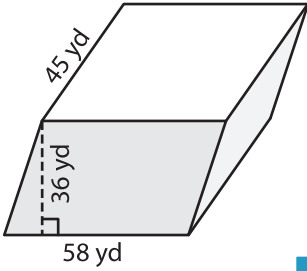
Name: _____

Volume - Prism

MS3

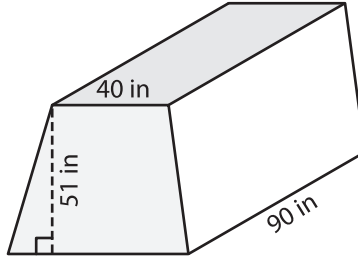
Find the volume of each shape.

1)

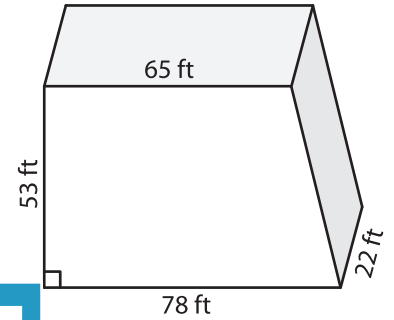


Volume = _____

2)

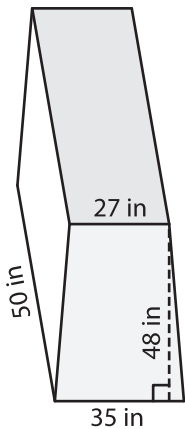


3)



Volume = _____

4)



Volume = _____

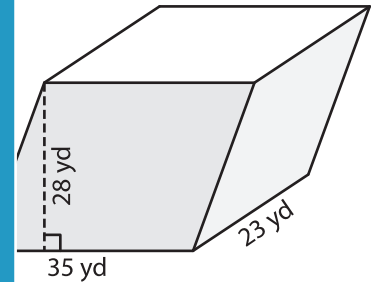
PREVIEW

Gain complete access to the largest collection of worksheets in all subjects!

Members, please log in to download this worksheet.

Not a member? Please sign up to gain complete access.

www.mathworksheets4kids.com



Volume = _____

7) The base of a prism is a parallelogram with a base of 10 yards and a height of 10 yards respectively. Find the volume of the prism.

_____ and 10 yards respectively.

8) The base of a prism is a trapezoid whose parallel bases measure 30 inches and 25 inches. The distance between the parallel bases is 23 inches. Find the volume of the prism if its length is 42 inches.