

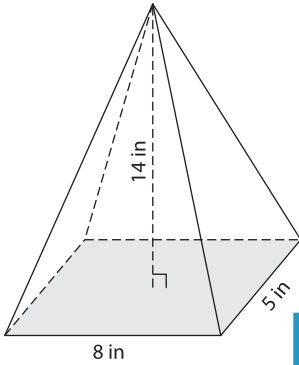
Name : _____

Volume - Pyramids

Mixed Review: L1E51

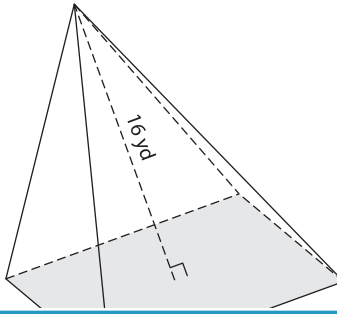
Find the volume of each pyramid. Round your answer to two decimal places.

1)

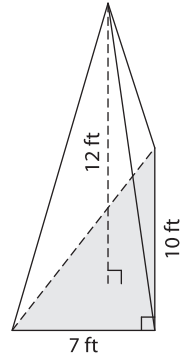


Volume = _____

2)

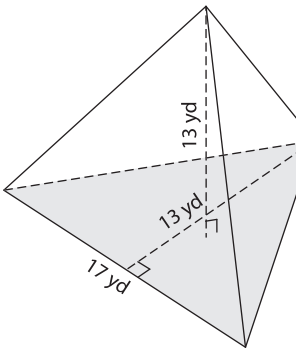


3)



Volume = _____

4)



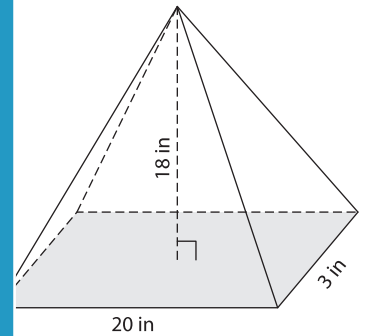
Volume = _____

PREVIEW
Gain complete access to the largest collection of worksheets in all subjects!

Members, please log in to download this worksheet.

Not a member? Please sign up to gain complete access.

www.mathworksheets4kids.com



Volume = _____

7) A rectangular pyramid has a base length of 17 yd and a base width of 13 yd. Determine the volume of the pyramid.

A rectangular pyramid has a base length of 20 in, a base width of 3 in, and a height of 6 inches. Determine the volume of the pyramid.

8) The base of a pyramid is a triangle whose base is 7 yards and height is 14 yards. Find the volume of the pyramid, if its height is 11 yards. Round your answer to two decimal places.
