

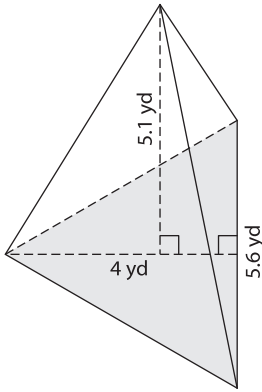
Name : \_\_\_\_\_

## Volume - Pyramids

Mixed Review: L1DS1

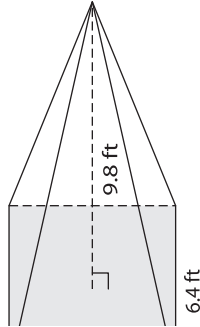
Find the volume of each pyramid. Round your answer to two decimal places.

1)

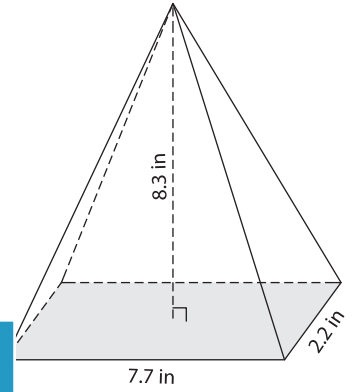


Volume = \_\_\_\_\_

2)

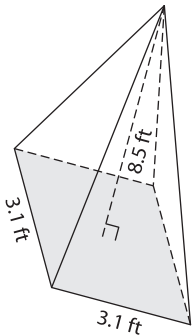


3)



Volume = \_\_\_\_\_

4)



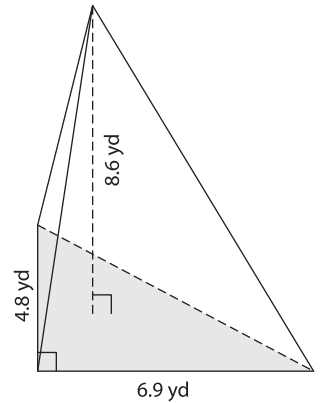
Volume = \_\_\_\_\_

**PREVIEW**  
Gain complete access to the largest collection of worksheets in all subjects!

Members, please log in to download this worksheet.

Not a member? Please sign up to gain complete access.

[www.mathworksheets4kids.com](http://www.mathworksheets4kids.com)



Volume = \_\_\_\_\_

7) A square pyramid has a height of 9.5 yards.

Each side length of the base is 9.5 yards.

\_\_\_\_\_

8) The base of a pyramid is a triangle whose base is 7.8 feet and height is 1.7 feet. Determine the volume of the pyramid, if its height is 4.2 feet. Round your answer to two decimal places.

\_\_\_\_\_