

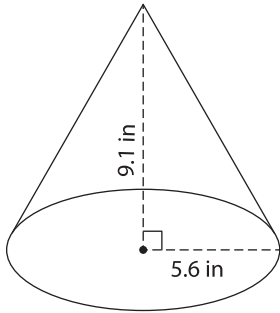
Name : \_\_\_\_\_

## Volume - Mixed shapes

Decimals: L2S1

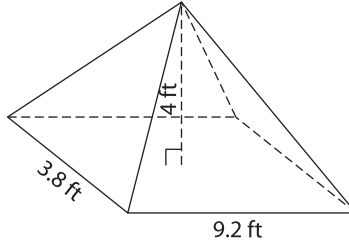
Find the volume of each shape. Round your answer to two decimal places. (use  $\pi = 3.14$ )

1)

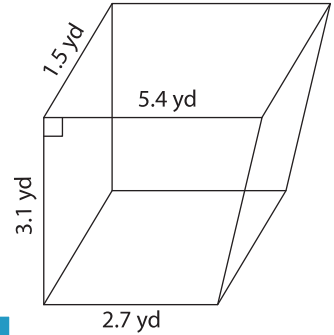


Volume = \_\_\_\_\_

2)

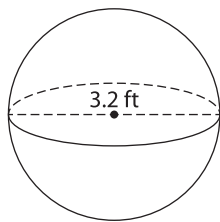


3)



Volume = \_\_\_\_\_

4)



Volume = \_\_\_\_\_

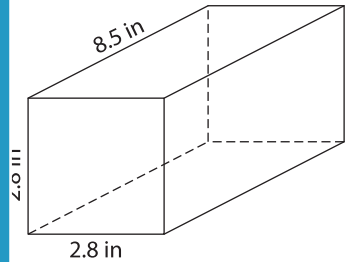
**PREVIEW**

Gain complete access to the largest collection of worksheets in all subjects!

Members, please log in to download this worksheet.

Not a member? Please sign up to gain complete access.

[www.mathworksheets4kids.com](http://www.mathworksheets4kids.com)



Volume = \_\_\_\_\_

7) A rectangular prism has a volume of 1.2 cubic feet. If the length of the prism is 0.8 feet and the width is 0.6 feet, what is the height of the prism? Round your answer to two decimal places.

height of 0.6 inch. What is the volume of the prism?

\_\_\_\_\_

8) The base of a pyramid is a triangle with a base of 8 feet and a height of 4.2 feet. If the height of the triangular pyramid is 5.3 feet, find its volume.

\_\_\_\_\_