

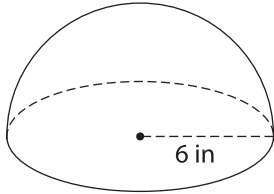
Name : _____

Volume - Mixed Shapes

Integers: L2S3

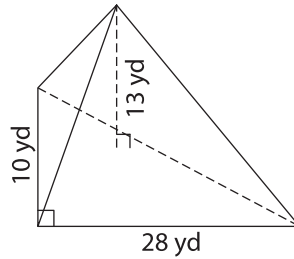
Find the volume of each shape. Round your answer to two decimal places. (use $\pi = 3.14$)

1)

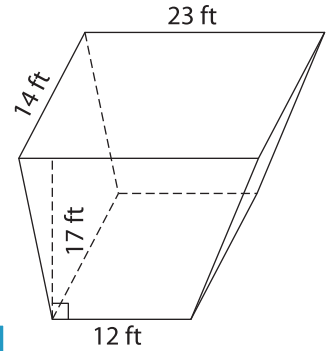


Volume = _____

2)

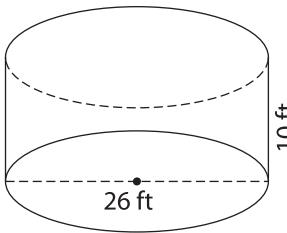


3)

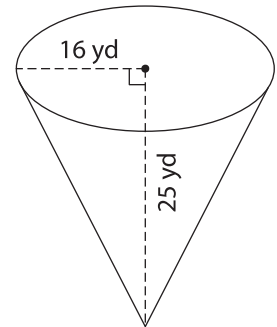


Volume = _____

4)



Volume = _____



Volume = _____

7) The height of a square pyramid is 9 inches, find the volume

of the pyramid. The side length of the base is 9 inches, find the volume

8) The base of a prism is a parallelogram with a base of 20 yards and a height of 24 yards. If the length of the prism is 18 yards, determine its volume.

PREVIEW

Gain complete access to the largest collection of worksheets in all subjects!

Members, please log in to download this worksheet.

Not a member? Please sign up to gain complete access.

www.mathworksheets4kids.com