

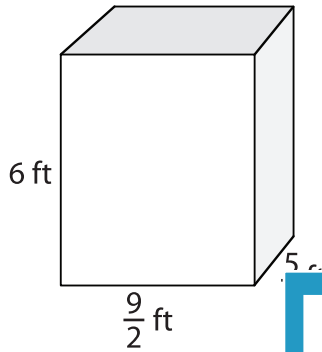
Name : _____

Volume - Rectangular Prism

Fractions: S3

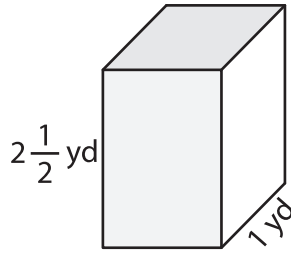
A) Find the volume of each rectangular prism.

1)

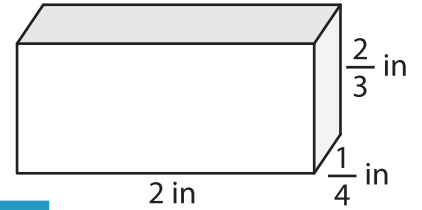


Volume = _____

2)



3)



Volume = _____

B) Find the volume of each

4) length = 8 yd ; width = $\frac{5}{7}$

Volume = _____

6) height = $\frac{6}{7}$ in ; length =

Volume = _____

Gain complete access to the largest collection of worksheets in all subjects!

Members, please log in to download this worksheet.

Not a member? Please sign up to gain complete access.

www.mathworksheets4kids.com

width = $1\frac{2}{5}$ ft ; length = 6 ft

width = $\frac{5}{7}$ yd ; height = $\frac{9}{5}$ yd

Volume = _____

Volume = _____

Volume = _____

8) Find the volume of a rectangular prism whose width, height and length are $\frac{1}{2}$ inch, $\frac{1}{9}$ inch and 4 inches respectively.
