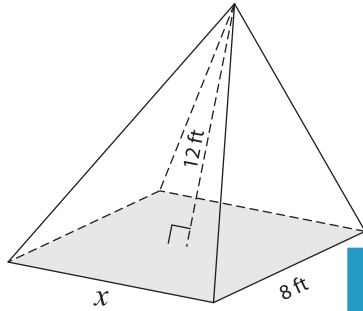


# Volume - Rectangular Pyramid

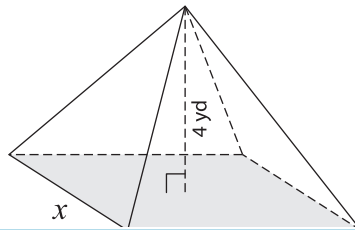
Find the value of  $x$ .

1) Volume =  $352 \text{ ft}^3$

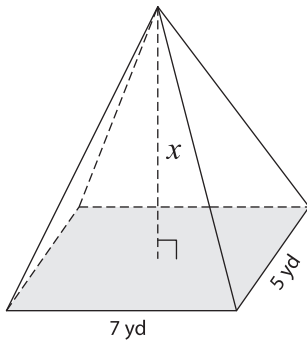


$x =$  \_\_\_\_\_

2) Volume =  $24 \text{ yd}^3$

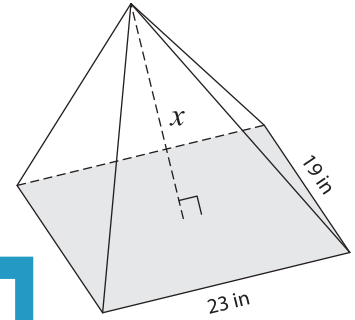


4) Volume =  $175 \text{ yd}^3$



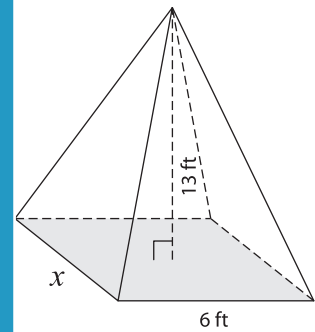
$x =$  \_\_\_\_\_

3) Volume =  $3,059 \text{ in}^3$



$x =$  \_\_\_\_\_

Volume =  $78 \text{ ft}^3$



$x =$  \_\_\_\_\_

7) The length and width of the base are 10 feet and 8 feet respectively. Find the height of the pyramid.

8) The length and width of the base are 12 feet and 10 feet respectively. Find the height of the pyramid.

## PREVIEW

Gain complete access to the largest collection of worksheets in all subjects!

Members, please log in to download this worksheet.

Not a member? Please sign up to gain complete access.

[www.mathworksheets4kids.com](http://www.mathworksheets4kids.com)

8) A rectangular pyramid has a width of 14 yards and a height of 22 yards. If the volume of the pyramid is 1,848 cubic yards, find its length.