

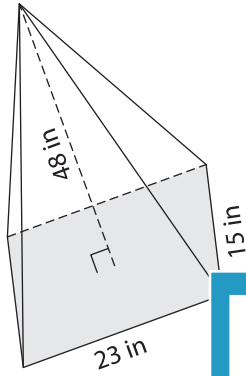
Name : _____

Volume - Rectangular Pyramid

MS1

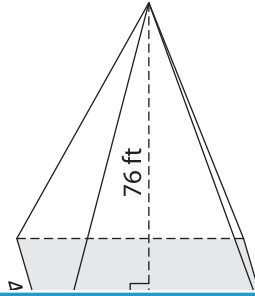
A) Find the volume of each rectangular pyramid. Round your answer to two decimal places.

1)

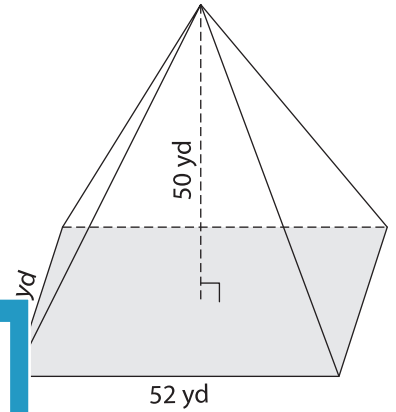


Volume = _____

2)



3)



Volume = _____

B) Find the volume of each rectangular pyramid. Round your answer to two decimal places.

4) height = 57 in ; length = 6 in ; width = 4 in

Volume = _____

6) length = 27 yd ; width = 2 yd ; height = 15 yd

Volume = _____

PREVIEW
Gain complete access to the largest collection of worksheets in all subjects!

Members, please log in to download this worksheet.

Not a member? Please sign up to gain complete access.

www.mathworksheets4kids.com

5) height = 25 ft ; length = 36 ft ; width = 18 ft

Volume = _____

7) height = 53 in ; length = 88 in ; width = 44 in

Volume = _____

8) The length, width and height of a rectangular pyramid are 31 feet, 20 feet and 90 feet respectively. What is its volume?
