

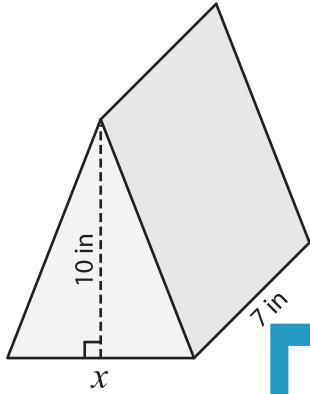
Name : _____

Volume - Triangular Prism

Sheet 1

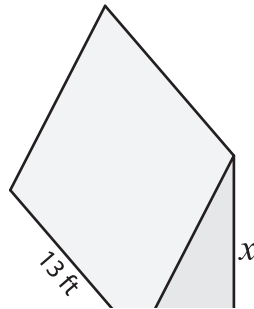
Find the value of x .

1) Volume = 280 in^3

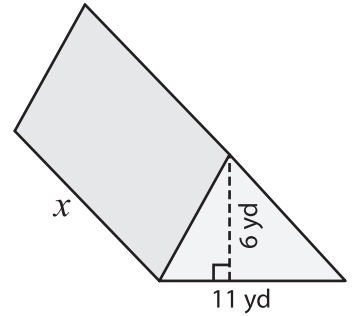


$x =$ _____

2) Volume = 390 ft^3

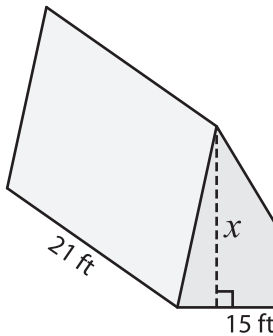


3) Volume = 462 yd^3



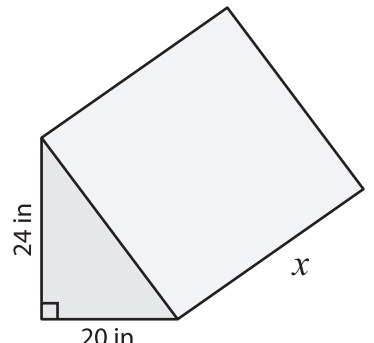
$x =$ _____

4) Volume = $2,835 \text{ ft}^3$



$x =$ _____

Volume = $7,200 \text{ in}^3$



$x =$ _____

7) The base of a prism is a right-angled triangle. The length of the prism is 19 feet and the volume of the prism is 4,675 cubic inches. Find the base of the prism.

8) The length of a triangular prism is 19 feet and the volume is 7,438.5 cubic feet. If the height of the base triangle is 27 feet, find its base.

PREVIEW

Gain complete access to the largest collection of worksheets in all subjects!

Members, please log in to download this worksheet.

Not a member? Please sign up to gain complete access.

www.mathworksheets4kids.com