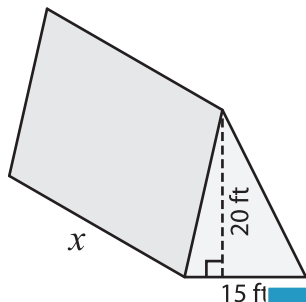


# Volume - Triangular Prism

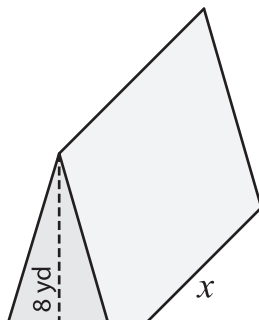
Find the value of  $x$ .

1) Volume =  $3,750 \text{ ft}^3$

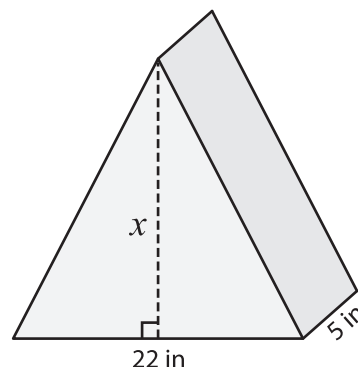


$x =$  \_\_\_\_\_

2) Volume =  $120 \text{ yd}^3$

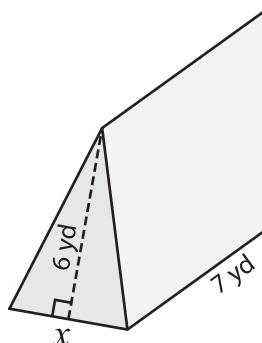


3) Volume =  $1,485 \text{ in}^3$



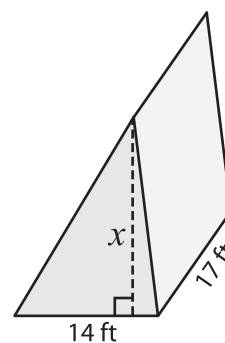
$x =$  \_\_\_\_\_

4) Volume =  $84 \text{ yd}^3$



$x =$  \_\_\_\_\_

Volume =  $2,737 \text{ ft}^3$



$x =$  \_\_\_\_\_

7) The length of a triangular prism is 18 feet. Find the height of the base.

\_\_\_\_\_

8) The base of a prism is a triangle whose base and height are 29 yards and 26 yards respectively. If the volume of the prism is 6,409 cubic yards, determine its length.

\_\_\_\_\_

## PREVIEW

Gain complete access to the largest collection of worksheets in all subjects!

Members, please log in to download this worksheet.

Not a member? Please sign up to gain complete access.

[www.mathworksheets4kids.com](http://www.mathworksheets4kids.com)