

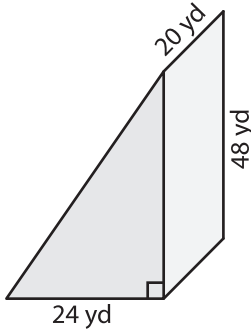
Name : \_\_\_\_\_

# Volume - Triangular Prism

MS2

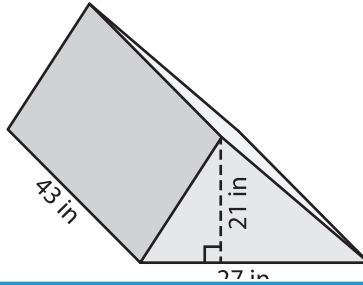
Find the volume of each triangular prism.

1)

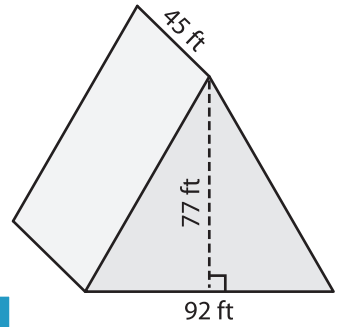


Volume = \_\_\_\_\_

2)

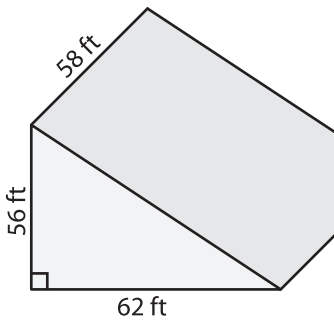


3)



Volume = \_\_\_\_\_

4)



Volume = \_\_\_\_\_

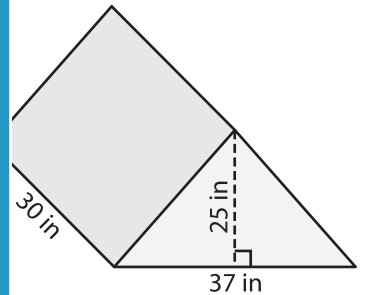
**PREVIEW**

Gain complete access to the largest collection of worksheets in all subjects!

Members, please log in to download this worksheet.

Not a member? Please sign up to gain complete access.

[www.mathworksheets4kids.com](http://www.mathworksheets4kids.com)



Volume = \_\_\_\_\_

7) The base of a prism is a right-angled triangle with a base of 28 feet, find its volume.

\_\_\_\_\_

If the height of the prism is \_\_\_\_\_

8) The base of a prism is a triangle with a base of 49 yards and a height of 29 yards. Determine the volume if its length is 42 yards.

\_\_\_\_\_