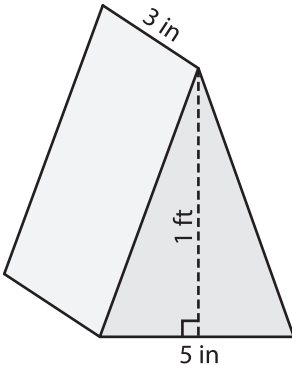


Name : _____

Volume - Triangular Prism

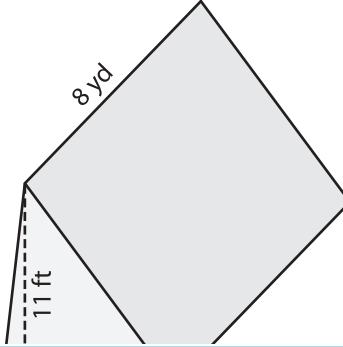
Find the volume of each triangular prism. Round your answer to two decimal places.

1)

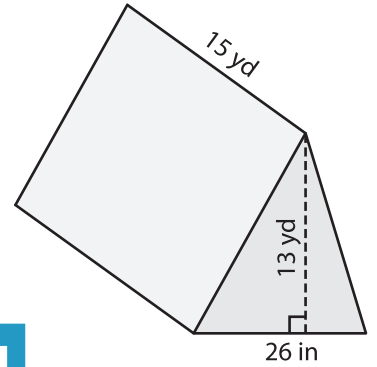


Volume = _____

2)

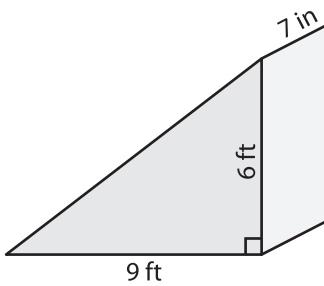


3)



Volume = _____ yd³

4)



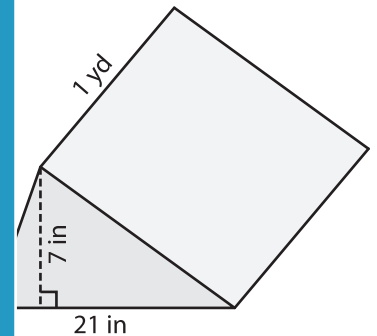
Volume = _____

PREVIEW
Gain complete access to the largest collection of worksheets in all subjects!

Members, please log in to download this worksheet.

Not a member? Please sign up to gain complete access.

www.mathworksheets4kids.com



Volume = _____ in³

7) The base of a prism is a triangle with a base of 12 inches and a height of 8 inches. Determine the volume in cubic inches if its length is 5 inches.

8) The base of a prism is a triangle whose base is 24 feet and height is 17 feet. Find the volume in cubic feet if its length is 4 yards.

8) The base of a prism is a triangle whose base is 24 feet and height is 17 feet. Find the volume in cubic feet if its length is 4 yards.
