

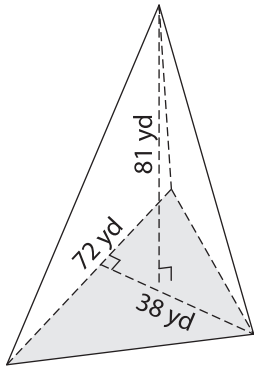
Name : _____

Volume - Triangular Pyramid

MS3

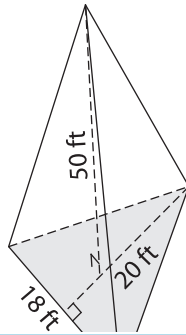
Find the volume of each triangular pyramid. Round your answer to two decimal places.

1)

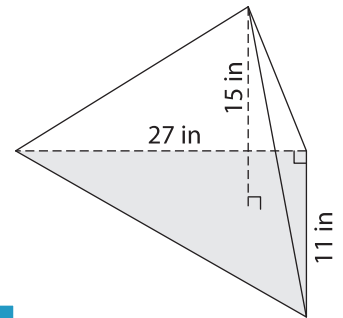


Volume = _____

2)

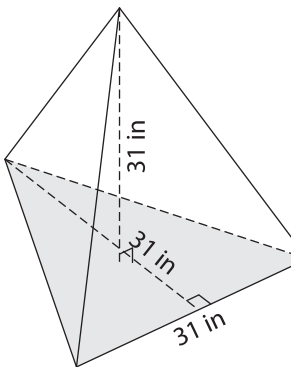


3)



Volume = _____

4)



Volume = _____

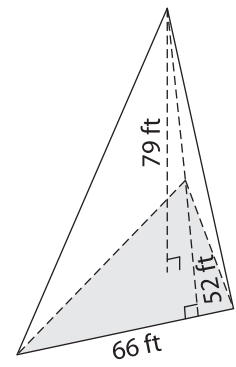
PREVIEW

Gain complete access to the largest collection of worksheets in all subjects!

Members, please log in to download this worksheet.

Not a member? Please sign up to gain complete access.

www.mathworksheets4kids.com



Volume = _____

7) The base of a pyramid is a right triangle with legs measuring 47 feet and 68 feet. If the height of the pyramid is 55 feet, determine the volume. Round your answer to two decimal places.

8) The base of a pyramid is a right triangle with legs measuring 47 feet and 68 feet. If the height of the pyramid is 55 feet, determine the volume. Round your answer to two decimal places.
