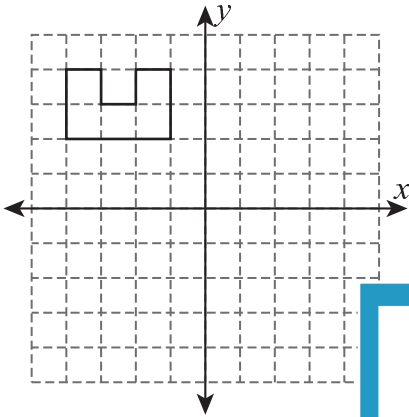


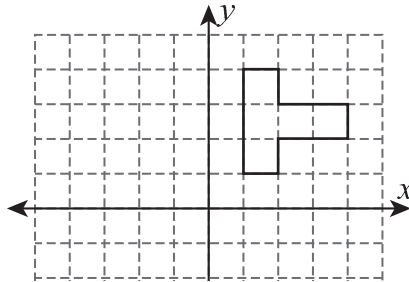
Translation of Shapes

Graph the image of each shape using the translation given.

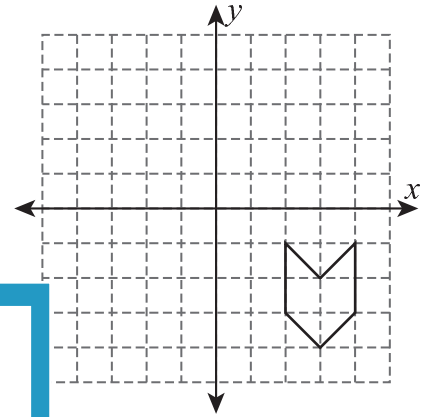
1) 5 units down and 4 units right



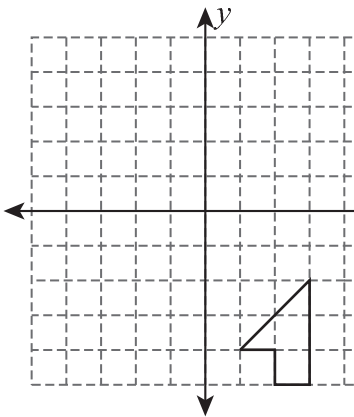
2) 2 units left and 6 units down



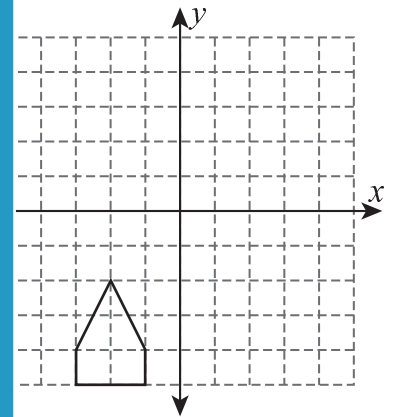
3) 7 units left



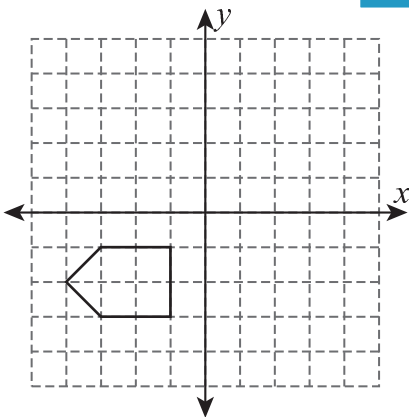
4) 2 units left and 3 units up



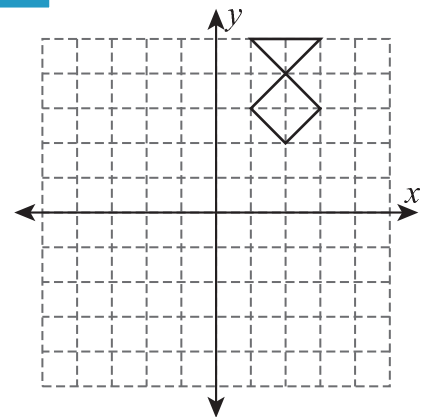
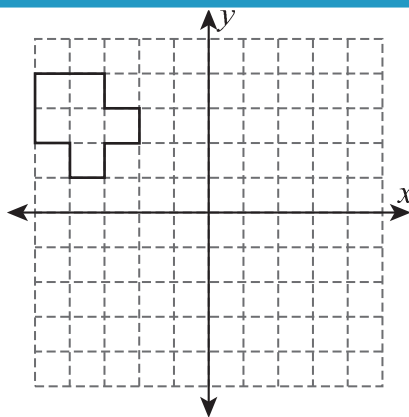
5) 3 units right and 5 units up



6) 3 units up and 1 unit left



7) 2 units down and 4 units left



PREVIEW

Gain complete access to the largest collection of worksheets in all subjects!

Members, please log in to download this worksheet.

Not a member? Please sign up to gain complete access.

www.mathworksheets4kids.com